

Product family datasheet

Technical data

Product description	Electrical data					
	Nominal input voltage	Mains frequency	Input voltage AC	Total harmonic distortion	Power factor λ	Efficiency in full-load
OTe 10/220...240/700 PC	220...240 V	50/60 Hz	198...264 V ¹⁾	< 20 %	0.95/0.90 ²⁾	79 % ³⁾
OTe 13/220...240/350 PC	220...240 V	50/60 Hz	198...264 V ¹⁾	< 20 %	0.95/0.90 ²⁾	84 % ³⁾
OTe 18/220...240/500 PC	220...240 V	50/60 Hz	198...264 V ¹⁾	15 %	0.95/0.90 ²⁾	86 % ³⁾
OTe 18/220...240/350 PC	220...240 V	50/60 Hz	198...264 V ¹⁾	15 %	0.95/0.90 ²⁾	86 % ³⁾
OTe 25/220...240/700 PC	220...240 V	50/60 Hz	198...264 V ¹⁾	15 %	0.95/0.90 ²⁾	86 % ³⁾
OTe 35/220...240/700 PC	220...240 V	50/60 Hz	195...264 V ¹⁾		0.95/0.90 ²⁾	87 % ³⁾

Product description	Device power loss	Inrush current	Max. ECG no. on circuit breaker 10 A (B)	Max. ECG no. on circuit breaker 16 A (B)	Max. ECG no. on circuit breaker 25 A (B)
OTe 10/220...240/700 PC	2.8 W ⁴⁾	5 A ⁵⁾	101	160	-
OTe 13/220...240/350 PC	2.6 W ⁴⁾	5 A ⁵⁾	82	130	-
OTe 18/220...240/500 PC	3.0 W ⁴⁾	5 A ⁵⁾	53	84	-
OTe 18/220...240/350 PC	3.0 W ⁴⁾	5 A ⁵⁾	53	84	-
OTe 25/220...240/700 PC	3,9 W ⁴⁾	7 A ⁵⁾	41	65	-
OTe 35/220...240/700 PC	5.25 W ⁴⁾	< 10 A ²²⁾	32	50	-

Product description	Surge capability (L/N-Ground)	Surge capability (L-N)	Nominal output voltage	U-OUT (working voltage)	Nominal output current
OTe 10/220...240/700 PC	1 kV	1 kV	7...14 V	25 V	700 mA ⁶⁾
OTe 13/220...240/350 PC	1 kV	1 kV	18...38 V ¹⁴⁾	50 V	350 mA ⁶⁾
OTe 18/220...240/500 PC	1 kV	1 kV	18...36 V ¹⁴⁾	60 V	500 mA ⁶⁾
OTe 18/220...240/350 PC	1 kV	1 kV	27...54 V ¹⁹⁾	50 V	350 mA ⁶⁾
OTe 25/220...240/700 PC	2 kV	1 kV	18...36 V ¹⁴⁾	50 V	700 mA ⁶⁾
OTe 35/220...240/700 PC	2 kV	1 kV	27...50 V ²³⁾	58 V	700 mA ²⁴⁾

Product description	Output current tolerance	Output ripple current (100 Hz)	Output PSTLM	Output SVM	Nominal output power
OTe 10/220...240/700 PC	±10 %	35 % ⁷⁾	≤1	≤1.0	10 W ⁸⁾
OTe 13/220...240/350 PC	±10 %	25 % ⁷⁾	≤1	≤0.6	13 W ¹⁵⁾
OTe 18/220...240/500 PC	±10 %	< 35 % ⁷⁾	≤1	≤0.6	18 W ¹⁸⁾
OTe 18/220...240/350 PC	±10 %	< 35 % ⁷⁾	≤1	≤0.8	19 W ²⁰⁾
OTe 25/220...240/700 PC	±10 %	< 35 % ⁷⁾	≤1	≤0.8	25 W ²¹⁾
OTe 35/220...240/700 PC	±5 %	< 35 % ⁷⁾	≤1	≤0.8	35 W ²⁵⁾

Product family datasheet

Product description	Maximum output power	Galvanic isolation	Galvanic isolation primary/secondary	Dimensions & weight	
				Mounting hole spacing, length	Mounting hole spacing, width
OTe 10/220...240/700 PC	10 W	SELV	3.04 kV	-	-
OTe 13/220...240/350 PC	13 W	SELV	3.04 kV	-	-
OTe 18/220...240/500 PC	18 W	SELV	3 kV	-	-
OTe 18/220...240/350 PC	19 W	SELV	3 kV	-	-
OTe 25/220...240/700 PC	25 W	SELV	3 kV	-	-
OTe 35/220...240/700 PC	35 W	SELV	3.75 kV	146.0 mm	15.0 mm

Product description	Product weight	Cable cross-section, input side	Cable cross-section, output side	Wire preparation length, input side	Wire preparation length, output side
OTe 10/220...240/700 PC	81.00 g	0.75...1.5 mm ^{2 9)}	0.5...1.5 mm ^{2 9)}	8.0...9.0 mm	8.0...9.0 mm
OTe 13/220...240/350 PC	81.00 g	0.75...1.5 mm ^{2 9)}	0.5...1.5 mm ^{2 9)}	8.0...9.0 mm	8.0...9.0 mm
OTe 18/220...240/500 PC	93.00 g	0.75...1.5 mm ^{2 9)}	0.5...1.5 mm ^{2 9)}	8.0...9.0 mm	8.0...9.0 mm
OTe 18/220...240/350 PC	93.00 g	0.75...1.5 mm ^{2 9)}	0.5...1.5 mm ^{2 9)}	8.0...9.0 mm	8.0...9.0 mm
OTe 25/220...240/700 PC	93.00 g	0.75...1.5 mm ^{2 9)}	0.5...1.5 mm ^{2 9)}	8.0...9.0 mm	8.0...9.0 mm
OTe 35/220...240/700 PC	165.00 g	0.75...2.5 mm ^{2 9)}	0.5...2.5 mm ^{2 9)}	5.0 mm	5.0 mm

Product description	Length	Width	Height	Colors & materials	Temperatures & operating conditions	
				Casing material	Ambient temperature range	Maximum temperature at tc test point
OTe 10/220...240/700 PC	95.0 mm	53.0 mm	25.0 mm	Plastic	-20...+55 °C	80 °C ¹⁰⁾
OTe 13/220...240/350 PC	95.0 mm	53.0 mm	25.0 mm	Plastic	-20...+55 °C	85 °C ¹⁰⁾
OTe 18/220...240/500 PC	95.0 mm	53.0 mm	30.0 mm	Plastic	-20...+55 °C	75 °C ¹⁰⁾
OTe 18/220...240/350 PC	95.0 mm	53.0 mm	30.0 mm	Plastic	-20...+50 °C	75 °C ¹⁰⁾
OTe 25/220...240/700 PC	95.0 mm	53.0 mm	30.0 mm	Plastic	-20...+50 °C	75 °C ¹⁰⁾
OTe 35/220...240/700 PC	153.0 mm	54.0 mm	36.0 mm	Plastic	-20...+45 °C	75 °C ¹⁰⁾

Product description	Max.housing temperature in case of fault	Temperature range at storage	Permitted rel. humidity during operation	Lifespan	Capabilities
				ECG lifetime	Dimmable
OTe 10/220...240/700 PC	110 °C	-25...75 °C	5...85 % ¹¹⁾	50000 h ¹²⁾	Yes
OTe 13/220...240/350 PC	110 °C	-25...75 °C	5...85 % ¹¹⁾	50000 h ¹⁶⁾	Yes
OTe 18/220...240/500 PC	110 °C	-25...75 °C	5...85 % ¹¹⁾	50000 h ¹²⁾	Yes
OTe 18/220...240/350 PC	110 °C	-25...75 °C	5...85 % ¹¹⁾	50000 h ¹²⁾	Yes

Product family datasheet

Product description	Max.housing temperature in case of fault	Temperature range at storage	Permitted rel. humidity during operation	Lifespan	Capabilitie s
				ECG lifetime	Dimmable
OTe 25/220...240/700 PC	110 °C	-25...75 °C	5...85 % ¹¹⁾	50000 h ¹²⁾	Yes
OTe 35/220...240/700 PC	110 °C	-40...+85 °C	5...85 % ¹¹⁾	50000 h ²⁶⁾	Yes

Product description	Dimming interface	Dimming range	Dimming method	Overheating protection
OTe 10/220...240/700 PC	Phase Cut ¹³⁾	10...100 %	Amplitude Modulation	Automatic reversible
OTe 13/220...240/350 PC	Phase Cut ¹⁷⁾	10...100 %	Amplitude Modulation	Automatic reversible
OTe 18/220...240/500 PC	Phase Cut ¹⁷⁾	10...100 %	Amplitude Modulation	Automatic reversible
OTe 18/220...240/350 PC	Phase Cut ¹⁷⁾	10...100 %	Amplitude Modulation	Automatic reversible
OTe 25/220...240/700 PC	Phase Cut ¹⁷⁾	10...100 %	Amplitude Modulation	Automatic reversible
OTe 35/220...240/700 PC	Phase Cut ¹⁷⁾	10...100 %	Amplitude Modulation	Automatic reversible

Product description	Overload protection	Short-circuit protection	No-load proof	Intended for no-load operation
OTe 10/220...240/700 PC	Automatic reversible	Automatic reversible	Yes	No
OTe 13/220...240/350 PC	Automatic reversible	Automatic reversible	Yes	No
OTe 18/220...240/500 PC	Automatic reversible	Automatic reversible	Yes	No
OTe 18/220...240/350 PC	Automatic reversible	Automatic reversible	Yes	No
OTe 25/220...240/700 PC	Automatic reversible	Automatic reversible	Yes	No
OTe 35/220...240/700 PC	Automatic reversible	Automatic reversible	Yes	No

Product description	Max. cable length to lamp/LED module	Suitable for fixtures with prot. class	Type of connection, output side
OTe 10/220...240/700 PC	2.0 m	I / II	Push terminal
OTe 13/220...240/350 PC	2.0 m	I / II	Push terminal
OTe 18/220...240/500 PC	2.0 m	I / II	Push terminal
OTe 18/220...240/350 PC	2.0 m	I / II	Push terminal
OTe 25/220...240/700 PC	2.0 m	I / II	Push terminal
OTe 35/220...240/700 PC	2.0 m	I / II	Push terminal

Product family datasheet

Product description	Certificates & standards			
	Approval marks – approval	Standards	Protection class	Type of protection
OTe 10/220...240/700 PC	CE / ENEC 10 / VDE / CB	Acc. to IEC 61347-1/Acc. to IEC 61347-2-13/Acc. to IEC 62384/Acc. to CISPR 15/Acc. to IEC 61000-3-2/Acc. to IEC 61000-3-3/Acc. to IEC 61547	II	IP20
OTe 13/220...240/350 PC	CE / ENEC 10 / VDE / CB	Acc. to IEC 61347-1/Acc. to IEC 61347-2-13/Acc. to IEC 62384/Acc. to CISPR 15/Acc. to IEC 61000-3-2/Acc. to IEC 61000-3-3/Acc. to IEC 61547	II	IP20
OTe 18/220...240/500 PC	CE / ENEC 10 / VDE / CB	Acc. to IEC 61347/Acc. to IEC 61347-2-13/Acc. to IEC 62384/Acc. to CISPR 15/Acc. to IEC 61000-3-2/Acc. to IEC 61000-3-3/Acc. to IEC 61547	II	IP20
OTe 18/220...240/350 PC	CE / ENEC 10 / VDE / CB	Acc. to IEC 61347-1/Acc. to IEC 61347-2-13/Acc. to IEC 62384/Acc. to CISPR 15/Acc. to IEC 61000-3-2/Acc. to IEC 61000-3-3/Acc. to IEC 61547	II	IP20
OTe 25/220...240/700 PC	CE / ENEC 10 / VDE / CB	Acc. to EN 61347-1/Acc. to EN 61347-2-13/Acc. to EN 62384/Acc. to CISPR 15/Acc. to IEC 61000-3-2/Acc. to IEC 61000-3-3/Acc. to IEC 61347	II	IP20
OTe 35/220...240/700 PC	CE / ENEC 10 / VDE / CB / C-Tick	Acc. to IEC 61347-1/Acc. to IEC 61347-2-13/Acc. to IEC 62384/Acc. to CISPR 15/Acc. to IEC 61000-3-2/Acc. to IEC 61000-3-3/Acc. to IEC 61547	II	IP20
Product description	Logistical data		Environmental information	
	Commodity code	Date of Declaration	Primary Article Identifier	Candidate List Substance 1
OTe 10/220...240/700 PC	850440829000	23-12-2021	4052899105300	Lead

Product family datasheet

Product description	Logistical data	Environmental information		
	Commodity code	Date of Declaration	Primary Article Identifier	Candidate List Substance 1
OTe 13/220...240/350 PC	850440829000	23-12-2021	4052899105324	Lead
OTe 18/220...240/500 PC	850440829000	23-12-2021	4052899105362	Lead
OTe 18/220...240/350 PC	850440829000	23-12-2021	4052899105348	Lead
OTe 25/220...240/700 PC	850440829000	23-12-2021	4052899105386	Lead
OTe 35/220...240/700 PC	850440829000	23-12-2021	4008321825520	Lead

Product description	CAS No. of substance 1	Safe Use Instruction	Declaration No. in SCIP database
OTe 10/220...240/700 PC	7439-92-1	The identification of the Candidate List substance is sufficient to allow safe use of the article.	91f67409-f42c-475d-9c45-c4ae9f9bd195
OTe 13/220...240/350 PC	7439-92-1	The identification of the Candidate List substance is sufficient to allow safe use of the article.	ebf9463b-dcd2-41f6-a302-059f0363eca7
OTe 18/220...240/500 PC	7439-92-1	The identification of the Candidate List substance is sufficient to allow safe use of the article.	a6829668-9b1f-463d-a45d-8be7c03c48f2
OTe 18/220...240/350 PC	7439-92-1	The identification of the Candidate List substance is sufficient to allow safe use of the article.	fa33d0d3-6fd5-474c-a1c7-7565bfa4e3d3
OTe 25/220...240/700 PC	7439-92-1	The identification of the Candidate List substance is sufficient to allow safe use of the article.	527edfb4-44c0-49b5-80c7-f107cc064134
OTe 35/220...240/700 PC	7439-92-1	The identification of the Candidate List substance is sufficient to allow safe use of the article.	ef5bc6f0-5198-4f10-980c-e158da30833a

¹⁾ Permitted voltage range

²⁾ Full load at 230 V/Minimum load at 230 V

³⁾ at 230 V, 50 Hz

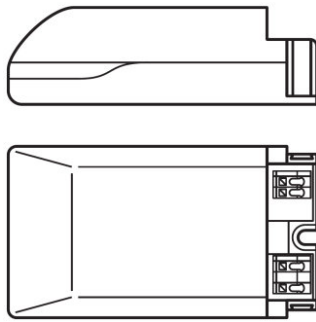
⁴⁾ Maximum

⁵⁾ $t_{width} = 100 \mu s$ (measured at 50 % I_{peak})

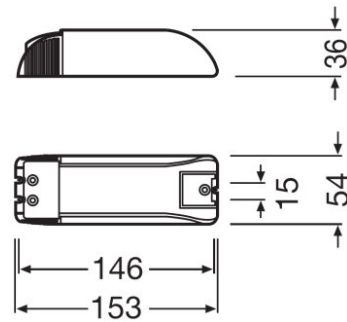
Product family datasheet

- 6) $\pm 10\%$
- 7) Typical
- 8) Partial load 5...10 W
- 9) Flexible
- 10) Maximum at the T_c-point
- 11) Maximum 56 days/year at 85 %
- 12) At T_{case} = 70°C at T_c point / 10% failure rate
- 13) Trailing edge
- 14) Maximum <48 V
- 15) Partial load 6.5...13.5 W
- 16) At T_{case} = 75°C at T_c point / 10% failure rate
- 17) Leading edge
- 18) Partial load 9...18 W
- 19) Maximum 60 V
- 20) Partial load 9.5...19 W
- 21) Partial load 12.5...25 W
- 22) t_{width} = 250 μs (measured at 50 % I_{peak})
- 23) Maximum <58 V
- 24) $\pm 5\%$
- 25) Partial load 19...35 W
- 26) At T_{case} = 65°C at T_c point / 10% failure rate

Product family datasheet



654797_OTe 10131825 PC + OTi DALI 15 LT2



502832_OTe 35220-240700 PC

Application advice

For more detailed application information and graphics please see product datasheet.



Sales and Technical Support

Sales and Technical Support www.osram.com

Country specific information

Product description	Product code	METEL-Code	SEG-No.	STK number	UK Org
OTe 13/220...240/350 PC	4052899105324	-	-	4030292	-
OTe 13/220...240/350 PC	4052899105324	-	-	4030292	-
OTe 18/220...240/350 PC	4052899105348	-	-	4030293	-
OTe 18/220...240/350 PC	4052899105348	-	-	4030293	-

Download Data

File
 Certificates OT EMC 40038482 220421
 Certificates OT ENEC 40038447 161221

Product family datasheet

	Certificates 496535_CB report OTe 10 700 PC and OTe 13 350 PC
	Declarations of conformity OTe PC UK DoC 4281102 180221
	Declarations of conformity OTE PC CE 3365230 230821
	Installation/Operation notice OT PC dimmer list (EN)
	Installation guide 501498_OTe 10220-240700 PC
	CAD data 3-dim 377012_OTe 10-13 PC -cable clamp
	CAD data 3-dim 377013_OTe 10-13 PC -housing
	CAD data 3-dim 377014_OTe 10-13 PC -housing with cable clamp
	Installation guide 501497_OTe 13220-240350 PC
	Certificates 503096_CB report OTe 25 700 PC - OTe 18 350 PC - OTe 18 500
	Installation guide 501495_OTe 18220-240500 PC
	CAD data 3-dim 377015_OTe 18-25 PC -cable clamp
	CAD data 3-dim 377016_OTe 18-25 PC -housing
	CAD data 3-dim 377017_OTe 18-25 PC -housing with cable clamp
	Installation guide 501496_OTe 18220-240350 PC
	Installation guide 501494_OTe 25220-240700 PC
	Certificates OTE 35 700 PC CB DE1 63216 040320
	Declarations of conformity 727840_Declaration OTe 35
	Installation/Operation notice 343883_Dimmer Compatibility List_OTe 35220-240700 PC
	CAD data 3-dim 343465_CAD OTe 35220-240700 PC

Product family datasheet

Ecodesign regulation information:

Intended for use with LED modules.

The forward voltage of the LED light source shall be within the defined operating window of the control gear in all operating conditions including dimming if applicable.

Separate control gear and light sources must be disposed of at certified disposal companies in accordance with Directive 2012/19/EU (WEEE) in the EU and with Waste Electrical and Electronic Equipment (WEEE) Regulations 2013 in the UK. For this purpose, collection points for recycling centres and take-back systems (CRSO) are available from retailers or private disposal companies, which accept separate control gear and light sources free of charge. In this way, raw materials are conserved and materials are recycled.

Logistical Data

Product code	Product description	Packaging unit (Pieces/Unit)	Dimensions (length x width x height)	Volume	Gross weight
4052899105300	OTe 10/220...240/700 PC	Shipping carton box 20	284 mm x 207 mm x 96 mm	5.64 dm ³	1890.00 g
4052899105324	OTe 13/220...240/350 PC	Shipping carton box 20	284 mm x 207 mm x 96 mm	5.64 dm ³	1890.00 g
4052899105362	OTe 18/220...240/500 PC	Shipping carton box 20	284 mm x 207 mm x 100 mm	5.88 dm ³	2138.00 g
4052899105348	OTe 18/220...240/350 PC	Shipping carton box 20	284 mm x 207 mm x 100 mm	5.88 dm ³	2138.00 g
4052899105386	OTe 25/220...240/700 PC	Shipping carton box 20	284 mm x 207 mm x 100 mm	5.88 dm ³	2138.00 g
4008321825520	OTe 35/220...240/700 PC	Shipping carton box 10	276 mm x 98 mm x 166 mm	4.49 dm ³	1812.00 g

The mentioned product code describes the smallest quantity unit which can be ordered. One shipping unit can contain one or more single products. When placing an order, for the quantity please enter single or multiples of a shipping unit.

Accessories Optional

Product description	Accessory name	Accessory code
OTe 10/220...240/700 PC	OT CABLE CLAMP E-STYLE	▶ 4052899167896
OTe 13/220...240/350 PC	OT CABLE CLAMP E-STYLE	▶ 4052899167896
OTe 18/220...240/500 PC	OT CABLE CLAMP E-STYLE	▶ 4052899167896
OTe 18/220...240/350 PC	OT CABLE CLAMP E-STYLE	▶ 4052899167896
OTe 25/220...240/700 PC	OT CABLE CLAMP E-STYLE	▶ 4052899167896

Product family datasheet

Disclaimer

Subject to change without notice. Errors and omission excepted. Always make sure to use the most recent release.