

## OPTOTRONIC FIT NFC

Compact constant current LED driver – Non dimmable



### Areas of application

- Spot light and down light
- Offices
- Shops
- Hospitality

### Product family benefits

- Fast programming / current set via NFC\*
- High quality of light thanks to low output ripple current
- Small housing for flexible luminaire designs
- High efficiency

### Product family features

- Output current range 150-1050 mA
- NFC Interface
- Low LF-ripple < 5%
- Lifetime: up to 50,000 h (temperature at max.  $t_c$ )



## Product family datasheet

### Technical data

#### Electrical data

| Product description       | Nominal input voltage | Mains frequency | Input voltage AC | Total harmonic distortion | Power factor $\lambda$ |
|---------------------------|-----------------------|-----------------|------------------|---------------------------|------------------------|
| OT FIT 15/220-240/350 NFC | 220...240 V           | 50/60 Hz        | 198...264 V      | < 10 % <sup>1)</sup>      | 0.98                   |
| OT FIT 25/220-240/700 NFC | 220...240 V           | 50/60 Hz        | 198...264 V      | < 10 % <sup>1)</sup>      | 0.98                   |
| OT FIT 40/220-240/1A0 NFC | 220...240 V           | 50/60 Hz        | 198...264 V      | < 10 % <sup>1)</sup>      | 0.98                   |

| Product description       | Efficiency in full-load | Device power loss | Inrush current     | Max. ECG no. on circuit breaker 10 A (C) | Max. ECG no. on circuit breaker 10 A (B) |
|---------------------------|-------------------------|-------------------|--------------------|--|--|
| OT FIT 15/220-240/350 NFC | 85 % <sup>2)</sup>      | 2.5 W             | 20 A <sup>3)</sup> | -  | 40                                       |
| OT FIT 25/220-240/700 NFC | 89 % <sup>2)</sup>      | 3.6 W             | 20 A <sup>3)</sup> | -  | 20                                       |
| OT FIT 40/220-240/1A0 NFC | 88 % <sup>2)</sup>      | 5.5 W             | 20 A <sup>3)</sup> | -  | 15                                       |

| Product description       | Max. ECG no. on circuit breaker 16 A (C) | Max. ECG no. on circuit breaker 16 A (B) | Max. ECG no. on circuit breaker 25 A (B) | Surge capability (L/N-Ground) |
|---------------------------|--|--|--|-------------------------------|
| OT FIT 15/220-240/350 NFC | -  | 60                                       | -  | 2 kV                          |
| OT FIT 25/220-240/700 NFC | -  | 30                                       | -  | 2 kV                          |
| OT FIT 40/220-240/1A0 NFC | -  | 25                                       | -  | 2 kV                          |

| Product description       | Surge capability (L-N) | Nominal output voltage | U-OUT (working voltage) | Nominal output current      | Output current tolerance |
|---------------------------|------------------------|------------------------|-------------------------|-----------------------------|--------------------------|
| OT FIT 15/220-240/350 NFC | 1 kV                   | 18...40 V              | 60 V                    | 150...350 mA <sup>4)</sup>  | ±7.5 %                   |
| OT FIT 25/220-240/700 NFC | 1 kV                   | 18...40 V              | 60 V                    | 350...700 mA <sup>4)</sup>  | ±7.5 %                   |
| OT FIT 40/220-240/1A0 NFC | 1 kV                   | 18...40 V              | 60 V                    | 700...1050 mA <sup>4)</sup> | ±7.5 %                   |

| Product description       | Default output current | Output ripple current (100 Hz) | Output PSTLM |
|---------------------------|------------------------|--------------------------------|--------------|
| OT FIT 15/220-240/350 NFC | 150 mA                 | < 5 %                          | ≤1           |
| OT FIT 25/220-240/700 NFC | 350 mA                 | < 5 %                          | ≤1           |
| OT FIT 40/220-240/1A0 NFC | 700 mA                 | < 5 %                          | ≤1           |

| Product description       | Output SVM | Nominal output power | Maximum output power | Galvanic isolation |
|---------------------------|------------|----------------------|----------------------|--------------------|
| OT FIT 15/220-240/350 NFC | ≤0.4       | 2.7...14 W           | 14 W                 | SELV               |
| OT FIT 25/220-240/700 NFC | ≤0.4       | 6.3...28 W           | 28 W                 | SELV               |
| OT FIT 40/220-240/1A0 NFC | ≤0.4       | 12.6...42 W          | 42 W                 | SELV               |

| Product description       | Current set |
|---------------------------|-------------|
| OT FIT 15/220-240/350 NFC | NFC         |
| OT FIT 25/220-240/700 NFC | NFC         |

## Product family datasheet

| Product description       | Current set |
|---------------------------|-------------|
| OT FIT 40/220-240/1A0 NFC | NFC         |

1) At full load

2) at 230 V, 50 Hz

3)  $t_h=200 \mu s$

4)  $\pm 7,5\%$

### Dimensions & weight

| Product description       | Mounting hole spacing, length | Mounting hole spacing, width | Product weight | Cable cross-section, input side           | Cable cross-section, output side          |
|---------------------------|-------------------------------|------------------------------|----------------|---|---|
| OT FIT 15/220-240/350 NFC | 88.0 mm                       | 34.0 mm                      | 80.00 g        | 0.5...1.5 / 0.75...1.5 mm <sup>2</sup> 1) | 0.5...1.5 / 0.75...1.5 mm <sup>2</sup> 1) |
| OT FIT 25/220-240/700 NFC | 88.0 mm                       | 34.0 mm                      | 120.00 g       | 0.5...1.5 / 0.75...1.5 mm <sup>2</sup> 1) | 0.5...1.5 / 0.75...1.5 mm <sup>2</sup> 1) |
| OT FIT 40/220-240/1A0 NFC | 88.0 mm                       | 34.0 mm                      | 140.00 g       | 0.5...1.5 / 0.75...1.5 mm <sup>2</sup> 1) | 0.5...1.5 / 0.75...1.5 mm <sup>2</sup> 1) |

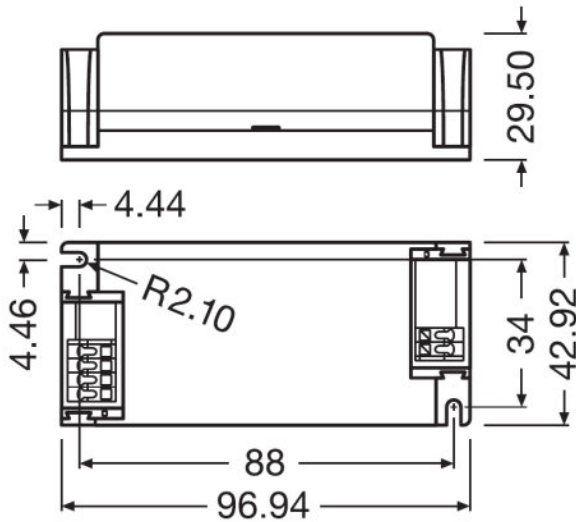
  

| Product description       | Wire preparation length, input side | Wire preparation length, output side | Height  | Length  | Width   |
|---------------------------|-------------------------------------|--------------------------------------|---------|---------|---------|
| OT FIT 15/220-240/350 NFC | 7...8 mm                            | 7...8 mm                             | 29.5 mm | 97.0 mm | 43.0 mm |
| OT FIT 25/220-240/700 NFC | 7...8 mm                            | 7...8 mm                             | 29.5 mm | 97.0 mm | 43.0 mm |
| OT FIT 40/220-240/1A0 NFC | 7...8 mm                            | 7...8 mm                             | 29.5 mm | 97.0 mm | 43.0 mm |

1) Solid/ Flexible Leads

## Product family datasheet

### Product line drawing



OT FIT 15/220-240/350 NFC, OT FIT 25/220-240/700 NFC,  
OT FIT 40/220-240/1A0 NFC

### Colors & materials

| Product description       | Casing material |
|---------------------------|-----------------|
| OT FIT 15/220-240/350 NFC | Plastic         |
| OT FIT 25/220-240/700 NFC | Plastic         |
| OT FIT 40/220-240/1A0 NFC | Plastic         |

### Temperatures & operating conditions

| Product description       | Ambient temperature range  | Maximum temperature at tc test point | Max.housing temperature in case of fault | Temperature range at storage |
|---------------------------|----------------------------|--------------------------------------|--|------------------------------|
| OT FIT 15/220-240/350 NFC | -20...+50 °C               | 70 °C                                | 110 °C                                   | -25...85 °C                  |
| OT FIT 25/220-240/700 NFC | -20...+50 °C               | 80 °C                                | 110 °C                                   | -25...85 °C                  |
| OT FIT 40/220-240/1A0 NFC | -20...+50 °C <sup>2)</sup> | 80 °C                                | 110 °C                                   | -25...85 °C                  |

| Product description       | Permitted rel. humidity during operation |
|---------------------------|--|
| OT FIT 15/220-240/350 NFC | 5...85 % <sup>1)</sup>                   |
| OT FIT 25/220-240/700 NFC | 5...85 % <sup>1)</sup>                   |
| OT FIT 40/220-240/1A0 NFC | 5...85 % <sup>1)</sup>                   |

<sup>1)</sup> Non-condensing

## Product family datasheet

<sup>2)</sup> 700-900 mA

### Lifespan

| Product description       | ECG lifetime                   |
|---------------------------|--------------------------------|
| OT FIT 15/220-240/350 NFC | 50000 / 100000 h <sup>1)</sup> |
| OT FIT 25/220-240/700 NFC | 50000 / 100000 h <sup>2)</sup> |
| OT FIT 40/220-240/1A0 NFC | 50000 / 100000 h <sup>2)</sup> |

<sup>1)</sup>  $T_c = 70^\circ\text{C}$ , 0.2% / 1,000 h failure rate /  $T_c = 60^\circ\text{C}$ , 0.1% / 1,000 h failure rate

<sup>2)</sup> At  $T_c = 80^\circ\text{C}$  / 0.2% / 1,000 h failure rate /  $T_c = 70^\circ\text{C}$ , 0.1% / 1,000 h failure rate

### Additional product data

| Product description       | Predecessor EAN |
|---------------------------|-----------------|
| OT FIT 15/220-240/350 NFC | 4052899956995   |
| OT FIT 25/220-240/700 NFC | 4052899957008   |
| OT FIT 40/220-240/1A0 NFC | 4052899957015   |

### Capabilities

| Product description       | Dimmable | Overheating protection | Overload protection |
|---------------------------|----------|------------------------|---------------------|
| OT FIT 15/220-240/350 NFC | No       | Automatic reversible   | Yes                 |
| OT FIT 25/220-240/700 NFC | No       | Automatic reversible   | Yes                 |
| OT FIT 40/220-240/1A0 NFC | No       | Automatic reversible   | Yes                 |

| Product description       | Short-circuit protection | No-load proof | Intended for no-load operation | Max. cable length to lamp/LED module |
|---------------------------|--------------------------|---------------|--------------------------------|--------------------------------------|
| OT FIT 15/220-240/350 NFC | Yes                      | Yes           | No                             | 2.0 m                                |
| OT FIT 25/220-240/700 NFC | Yes                      | Yes           | No                             | 2.0 m                                |
| OT FIT 40/220-240/1A0 NFC | Yes                      | Yes           | No                             | 2.0 m                                |

| Product description       | Suitable for fixtures with prot. class | Type of connection, input side | Type of connection, output side |
|---------------------------|--|--------------------------------|---------------------------------|
| OT FIT 15/220-240/350 NFC | I / II                                 | Push terminal                  | Push terminal                   |
| OT FIT 25/220-240/700 NFC | I / II                                 | Push terminal                  | Push terminal                   |
| OT FIT 40/220-240/1A0 NFC | I / II                                 | Push terminal                  | Push terminal                   |

| Product description       | Number of channels |
|---------------------------|--------------------|
| OT FIT 15/220-240/350 NFC | 1                  |
| OT FIT 25/220-240/700 NFC | 1                  |
| OT FIT 40/220-240/1A0 NFC | 1                  |

## Product family datasheet

### Programming

| Product description       | Programming device | Tuner4TRONIC Field App | Tuner4TRONIC |
|---------------------------|--------------------|------------------------|--------------|
| OT FIT 15/220-240/350 NFC | NFC                | Yes                    | Yes          |
| OT FIT 25/220-240/700 NFC | NFC                | Yes                    | Yes          |
| OT FIT 40/220-240/1A0 NFC | NFC                | Yes                    | Yes          |

| Product description       | Box programming |
|---------------------------|-----------------|
| OT FIT 15/220-240/350 NFC | Yes             |
| OT FIT 25/220-240/700 NFC | Yes             |
| OT FIT 40/220-240/1A0 NFC | Yes             |

### Certificates & standards

| Product description       | Approval marks – approval | Standards  | Type of protection |
|---------------------------|---------------------------|--|--------------------|
| OT FIT 15/220-240/350 NFC | CCC / CE / ENEC           | Acc. to IEC 61347-1/Acc. to IEC 61347-2-13/Acc. to IEC 62384/Acc. to IEC 61000-3-2/Acc. to IEC 61000-3-3/Acc. to IEC 61547/Acc. to EN 55015, CISPR 15/Acc. to EN 62386 | IP20               |
| OT FIT 25/220-240/700 NFC | CCC / CE / ENEC           | Acc. to IEC 61347-1/Acc. to IEC 61347-2-13/Acc. to IEC 62384/Acc. to IEC 61000-3-2/Acc. to IEC 61000-3-3/Acc. to IEC 61547/Acc. to EN 55015, CISPR 15/Acc. to EN 62386 | IP20               |
| OT FIT 40/220-240/1A0 NFC | CCC / CE / ENEC           | Acc. to IEC 61347-1/Acc. to IEC 61347-2-13/Acc. to IEC 62384/Acc. to IEC 61000-3-2/Acc. to IEC 61000-3-3/Acc. to IEC 61547/Acc. to EN 55015, CISPR 15/Acc. to EN 62386 | IP20               |

### Logistical data

| Product description       | Commodity code |
|---------------------------|----------------|
| OT FIT 15/220-240/350 NFC | 850440829000   |
| OT FIT 25/220-240/700 NFC | 850440829000   |
| OT FIT 40/220-240/1A0 NFC | 850440829000   |

## Product family datasheet

### Environmental information

| Product description       | Date of Declaration | Primary Article Identifier | Candidate List Substance 1 |
|---------------------------|---------------------|----------------------------|----------------------------|
| OT FIT 15/220-240/350 NFC | 23-12-2021          | 4052899617179              | Lead                       |
| OT FIT 25/220-240/700 NFC | 23-12-2021          | 4052899617186              | Lead                       |
| OT FIT 40/220-240/1A0 NFC | 23-12-2021          | 4052899617193              | Lead                       |

| Product description       | CAS No. of substance 1 | Safe Use Instruction   | Declaration No. in SCIP database     |
|---------------------------|------------------------|--|--------------------------------------|
| OT FIT 15/220-240/350 NFC | 7439-92-1              | The identification of the Candidate List substance is sufficient to allow safe use of the article. | b72e333f-7418-4559-b486-654fd7dab34a |
| OT FIT 25/220-240/700 NFC | 7439-92-1              | The identification of the Candidate List substance is sufficient to allow safe use of the article. | 05d1389d-0c3c-4260-b93e-c59a28da1b71 |
| OT FIT 40/220-240/1A0 NFC | 7439-92-1              | The identification of the Candidate List substance is sufficient to allow safe use of the article. | f40586c0-04cc-4841-9a02-895860664f2a |






### Application advice

- For more detailed application information and graphics please see product datasheet.

### Sales and Technical Support

Sales and Technical Support [www.osram.com](http://www.osram.com)

### Download Data

| File   |
|--|
|  User instruction<br>OPTOTRONIC LED Power Supply            |
|  User instruction<br>OPTOTRONIC LED Power Supply            |
|  Certificates<br>OT FIT IT DALI NFC ENEC 35 113246 060420   |
|  Certificates<br>OT FIT IT DALI NFC RCM NSW27559 080421     |
|  Declarations of conformity<br>OT FIT NFC CE 4211505 230821 |

## Product family datasheet



Declarations of conformity  
OT FIT NFC UK DoC 4281077 040221

### Ecodesign regulation information:

Intended for use with LED modules.

The forward voltage of the LED light source shall be within the defined operating window of the control gear in all operating conditions including dimming if applicable.

Separate control gear and light sources must be disposed of at certified disposal companies in accordance with Directive 2012/19/EU (WEEE) in the EU and with Waste Electrical and Electronic Equipment (WEEE) Regulations 2013 in the UK. For this purpose, collection points for recycling centres and take-back systems (CRSO) are available from retailers or private disposal companies, which accept separate control gear and light sources free of charge. In this way, raw materials are conserved and materials are recycled.

### Logistical Data

| Product code  | Product description       | Packaging unit (Pieces/Unit) | Dimensions (length x width x height) | Volume               | Gross weight |
|---------------|---------------------------|------------------------------|--------------------------------------|----------------------|--------------|
| 4052899617179 | OT FIT 15/220-240/350 NFC | Shipping carton box<br>20    | 208 mm x 158 mm x 107 mm             | 3.52 dm <sup>3</sup> | 1715.00 g    |
| 4052899617186 | OT FIT 25/220-240/700 NFC | Shipping carton box<br>20    | 208 mm x 158 mm x 107 mm             | 3.52 dm <sup>3</sup> | 2515.00 g    |
| 4052899617193 | OT FIT 40/220-240/1A0 NFC | Shipping carton box<br>20    | 208 mm x 158 mm x 107 mm             | 3.52 dm <sup>3</sup> | 2915.00 g    |

The mentioned product code describes the smallest quantity unit which can be ordered. One shipping unit can contain one or more single products. When placing an order, for the quantity please enter single or multiples of a shipping unit.

### Accessories Optional

| Product description       | Accessory name         | Accessory code  |
|---------------------------|------------------------|-----------------|
| OT FIT 15/220-240/350 NFC | OT CABLE CLAMP D-STYLE | ▶ 4052899077904 |
| OT FIT 25/220-240/700 NFC | OT CABLE CLAMP D-STYLE | ▶ 4052899077904 |
| OT FIT 40/220-240/1A0 NFC | OT CABLE CLAMP D-STYLE | ▶ 4052899077904 |

### Disclaimer

Subject to change without notice. Errors and omission excepted. Always make sure to use the most recent release.