

ELEMENT S

Compact constant current LED driver – Non dimmable



Product family features

- Available with wattages up to 44 W
- Constant output current
- Integrated cable clamp for luminaire and independent installation
- Operated with Safety extra-low voltage (SELV): < 60 V
- Reversible overtemperature, overload, short-circuit and open-circuit protection

Product family benefits

- Compatible with LEDs with Chip-On-Board technology and discrete LEDs
- High efficiency
- Simple installation and wiring

Areas of application

- Spotlight and downlight installations for shops
- Recessed luminaires
- Suitable for luminaires of protection classes I and II
- Suitable for indoor SELV installations

Product family datasheet

Technical data

Product description	Electrical data					
	Nominal input voltage	Mains frequency	Input voltage AC	Total harmonic distortion	Power factor λ	Efficiency in full-load
ELEMENT 6/220...240/150 S	220...240 V	50...60 Hz	198...264 V	< 20 %	0.95	> 79 % ¹⁾
ELEMENT 25/220...240/600 S	220...240 V	50...60 Hz	198...264 V	< 20 %	0.95	> 87 % ¹⁾
ELEMENT 33/220...240/800 S	220...240 V	50...60 Hz	198...264 V	< 20 %	0.95	> 88 % ¹⁾
ELEMENT 38/220...240/900 S	220...240 V	50...60 Hz	198...264 V	< 20 %	0.95	> 88 % ¹⁾
ELEMENT 44/220...240/1050 S	220...240 V	50...60 Hz	198...264 V	< 20 %	0.95	90 % ¹⁾

Product description	Device power loss	Protective conductor current	Inrush current	Max. ECG no. on circuit breaker 10 A (B)	Max. ECG no. on circuit breaker 10 A (C)	Max. ECG no. on circuit breaker 16 A (B)
ELEMENT 6/220...240/150 S	1.6 W ²⁾	<0.7 mA	< 3 A ³⁾	105	-	168
ELEMENT 25/220...240/600 S	4.0 W ⁸⁾	<0.7 mA	< 11.5 A ³⁾	30	-	49
ELEMENT 33/220...240/800 S	5.0 W ¹⁰⁾	<0.7 mA	< 11 A ¹¹⁾	23	-	37
ELEMENT 38/220...240/900 S	6.0 W ¹⁰⁾	<0.7 mA	< 11 A ¹³⁾	21	-	33
ELEMENT 44/220...240/1050 S	5.7 W ¹⁴⁾	<0.7 mA	< 11 A ¹⁵⁾	18	-	29

Product description	Max. ECG no. on circuit breaker 16 A (C)	Max. ECG no. on circuit breaker 25 A (B)	Surge capability (L/N-Ground)	Surge capability (L-N)	Nominal output voltage
ELEMENT 6/220...240/150 S	-	-	2 kV	1 kV	30...42 V
ELEMENT 25/220...240/600 S	-	-	2 kV	1 kV	27...40 V
ELEMENT 33/220...240/800 S	-	-	2 kV	1 kV	27...40 V
ELEMENT 38/220...240/900 S	-	-	2 kV	1 kV	27...40 V
ELEMENT 44/220...240/1050 S	-	-	2 kV	1 kV	30...42 V

Product description	U-OUT (working voltage)	Nominal output current	Output current tolerance	Output ripple current (100 Hz)	Output PSTLM
ELEMENT 6/220...240/150 S	60 V	150 mA	±7.5 %	< 30 %	≤1
ELEMENT 25/220...240/600 S	60 V	600 mA	±7.5 %	< 30 %	≤1
ELEMENT 33/220...240/800 S	60 V	800 mA	±7.5 %	< 30 %	≤1
ELEMENT 38/220...240/900 S	60 V	900 mA	±7.5 %	< 30 %	≤1
ELEMENT 44/220...240/1050 S	60 V	1050 mA	±7.5 %	< 30 %	≤1

Product description	Output SVM	Nominal output power	Maximum output power	Galvanic isolation
ELEMENT 6/220...240/150 S	≤1.2	4.5...6.3 W	6.3 W	SELV

Product family datasheet

Product description	Output SVM	Nominal output power	Maximum output power	Galvanic isolation
ELEMENT 25/220...240/600 S	≤0.8	16.5...24 W	24 W	SELV
ELEMENT 33/220...240/800 S	≤0.9	21.6...32 W	32 W	SELV
ELEMENT 38/220...240/900 S	≤0.8	24.5...36 W	36 W	SELV
ELEMENT 44/220...240/1050 S	≤0.8	28.3...42 W	42 W	SELV

Product description	Current set	Dimensions & weight				
		Mounting hole spacing, length	Mounting hole spacing, width	Product weight	Cable cross-section, input side	Cable cross-section, output side
ELEMENT 6/220...240/150 S	-	80.0 mm	34.0 mm	52.00 g	0.5...1.5 / 0.75...1.5 mm ^{2 4)}	0.5...1.5 / 0.75...1.5 mm ^{2 4)}
ELEMENT 25/220...240/600 S	-	88.0 mm	34.0 mm	66.00 g	0.5...1.5 / 0.75...1.5 mm ^{2 4)}	0.5...1.5 / 0.75...1.5 mm ^{2 4)}
ELEMENT 33/220...240/800 S	-	88.0 mm	34.0 mm	86.00 g	0.5...1.5 / 0.75...1.5 mm ^{2 4)}	0.5...1.5 / 0.75...1.5 mm ^{2 4)}
ELEMENT 38/220...240/900 S	-	88.0 mm	34.0 mm	88.00 g	0.5...1.5 / 0.75...1.5 mm ^{2 4)}	0.5...1.5 / 0.75...1.5 mm ^{2 4)}
ELEMENT 44/220...240/1050 S	-	88.0 mm	34.0 mm	88.00 g	0.5...1.5 / 0.75...1.5 mm ^{2 4)}	0.5...1.5 / 0.75...1.5 mm ^{2 4)}

Product description	Wire preparation length, input side	Wire preparation length, output side	Length	Width	Height
ELEMENT 6/220...240/150 S	7...8 mm	7...8 mm	90.0 mm	43.0 mm	22.0 mm
ELEMENT 25/220...240/600 S	7...8 mm	7...8 mm	97.0 mm	43.0 mm	25.0 mm
ELEMENT 33/220...240/800 S	7...8 mm	7...8 mm	97.0 mm	43.0 mm	29.0 mm
ELEMENT 38/220...240/900 S	7...8 mm	7...8 mm	97.0 mm	43.0 mm	29.0 mm
ELEMENT 44/220...240/1050 S	7...8 mm	7...8 mm	97.0 mm	43.0 mm	29.0 mm

Product description	Colors & materials	Temperatures & operating conditions			
	Casing material	Ambient temperature range	Maximum temperature at tc test point	Max.housing temperature in case of fault	Temperature range at storage
ELEMENT 6/220...240/150 S	Plastic	-20...+50 °C	75 °C ⁵⁾	110 °C	-40...+85 °C
ELEMENT 25/220...240/600 S	Plastic	-20...+50 °C	80 °C ⁵⁾	110 °C	-40...+85 °C

Product family datasheet

Product description	Colors & materials	Temperatures & operating conditions			
	Casing material	Ambient temperature range	Maximum temperature at tc test point	Max.housing temperature in case of fault	Temperature range at storage
ELEMENT 33/220...240/800 S	Plastic	-20...+50 °C	80 °C ⁵⁾	110 °C	-40...+85 °C
ELEMENT 38/220...240/900 S	Plastic	-20...+50 °C	80 °C ⁵⁾	110 °C	-40...+85 °C
ELEMENT 44/220...240/1050 S	Plastic	-20...+50 °C	85 °C ⁵⁾	110 °C	-40...+85 °C

Product description	Permitted rel. humidity during operation	Lifespan	Additional product data	
		ECG lifetime	Successor EAN	Predecessor EAN
ELEMENT 6/220...240/150 S	5...95 % ⁶⁾	30000 / 50000 h ⁷⁾	4062172167390	
ELEMENT 25/220...240/600 S	5...95 % ⁶⁾	30000 / 50000 h ⁹⁾	4062172167512	
ELEMENT 33/220...240/800 S	5...85 % ¹²⁾	30000 / 50000 h ⁹⁾	4062172167550	
ELEMENT 38/220...240/900 S	5...85 % ¹²⁾	30000 / 50000 h ⁹⁾	4062172167574	4052899947115
ELEMENT 44/220...240/1050 S	5...95 % ⁶⁾	30000 / 50000 h ¹⁶⁾	4062172167611	4052899947122

Product description	Capabilities			
	Dimmable	Overheating protection	Overload protection	Short-circuit protection
ELEMENT 6/220...240/150 S	No	Automatic reversible	Automatic reversible	Automatic reversible
ELEMENT 25/220...240/600 S	No	Automatic reversible	Automatic reversible	Automatic reversible
ELEMENT 33/220...240/800 S	No	Automatic reversible	Automatic reversible	Automatic reversible
ELEMENT 38/220...240/900 S	No	Automatic reversible	Automatic reversible	Automatic reversible
ELEMENT 44/220...240/1050 S	No	Automatic reversible	Automatic reversible	Automatic reversible

Product description	No-load proof	Intended for no-load operation	Max. cable length to lamp/LED module	Suitable for fixtures with prot. class
ELEMENT 6/220...240/150 S	Yes	No	2.0 m	I / II
ELEMENT 25/220...240/600 S	Yes	No	2.0 m	I / II
ELEMENT 33/220...240/800 S	Yes	No	2.0 m	I / II
ELEMENT 38/220...240/900 S	Yes	No	2.0 m	I / II
ELEMENT 44/220...240/1050 S	Yes	No	2.0 m	I / II

Product description	Type of connection, input side	Type of connection, output side	Number of channels	Certificates & standards
				Approval marks – approval
ELEMENT 6/220...240/150 S	Push terminal	Push terminal	1	ENEC 05 / CCC / RCM / CE

Product family datasheet

Product description	Type of connection, input side	Type of connection, output side	Number of channels	Certificates & standards
				Approval marks – approval
ELEMENT 25/220...240/600 S	Push terminal	Push terminal	1	ENEC 05 / CCC / RCM / CE
ELEMENT 33/220...240/800 S	Push terminal	Push terminal	1	ENEC 05 / CCC / RCM / CE
ELEMENT 38/220...240/900 S	Push terminal	Push terminal	1	ENEC 05 / CCC / RCM / CE
ELEMENT 44/220...240/1050 S	Push terminal	Push terminal	1	ENEC 05 / CCC / RCM / CE

Product description	Standards	Type of protection	Logistical data	Environmental information
			Commodity code	Date of Declaration
ELEMENT 6/220...240/150 S	Acc. to IEC 61347-1/Acc. to IEC 61347-2-13/Acc. to IEC 62384/Acc. to IEC 61000-3-2/Acc. to IEC 61547/Acc. to IEC 61000-3-3	IP20	850440829000	23-12-2021
ELEMENT 25/220...240/600 S	Acc. to IEC 61347-1/Acc. to IEC 61347-2-13/Acc. to IEC 62384/Acc. to IEC 61000-3-2/Acc. to IEC 61547/Acc. to IEC 61000-3-3	IP20	850440829000	23-12-2021
ELEMENT 33/220...240/800 S	Acc. to IEC 61347-1/Acc. to IEC 61347-2-13/Acc. to IEC 62384/Acc. to IEC 61000-3-2/Acc. to IEC 61547/Acc. to IEC 61000-3-3	IP20	850440829000	23-12-2021
ELEMENT 38/220...240/900 S	Acc. to IEC 61347-1/Acc. to IEC 61347-2-13/Acc. to IEC 62384/Acc. to IEC 61000-3-2/Acc. to IEC 61547/Acc. to IEC 61000-3-3	IP20	850440829000	23-12-2021
ELEMENT 44/220...240/1050 S	Acc. to IEC 61347-1/Acc. to IEC 61347-2-13/Acc. to IEC 62384/Acc. to IEC 61000-3-2/Acc. to IEC 61547/Acc. to IEC 61000-3-3	IP20	850440829000	23-12-2021

Product family datasheet

Product description	Primary Article Identifier	Candidate List Substance 1	CAS No. of substance 1	Safe Use Instruction
ELEMENT 6/220...240/150 S	4052899552821	Lead	7439-92-1	The identification of the Candidate List substance is sufficient to allow safe use of the article.
ELEMENT 25/220...240/600 S	4052899552944	Lead	7439-92-1	The identification of the Candidate List substance is sufficient to allow safe use of the article.
ELEMENT 33/220...240/800 S	4052899553019	Lead	7439-92-1	The identification of the Candidate List substance is sufficient to allow safe use of the article.
ELEMENT 38/220...240/900 S	4052899553033	Lead	7439-92-1	The identification of the Candidate List substance is sufficient to allow safe use of the article.
ELEMENT 44/220...240/1050 S	4052899553057	Lead	7439-92-1	The identification of the Candidate List substance is sufficient to allow safe use of the article.

Product description	Declaration No. in SCIP database
ELEMENT 6/220...240/150 S	3f28f943-0b97-4ef8-b65a-2bff3cf99149
ELEMENT 25/220...240/600 S	60b162ab-368a-4c35-b79a-1aa12193a132
ELEMENT 33/220...240/800 S	914c6e54-73e8-4348-ad39-c05bdbf4a3fd
ELEMENT 38/220...240/900 S	7aefc6ae-1b9e-453d-ba8c-f2e6375c538a
ELEMENT 44/220...240/1050 S	e10a781e-3beb-4dc3-b862-bfa2242fdfc0

1) at 230 V, 50 Hz

2) At 230 V, Input power 7.9 W max.

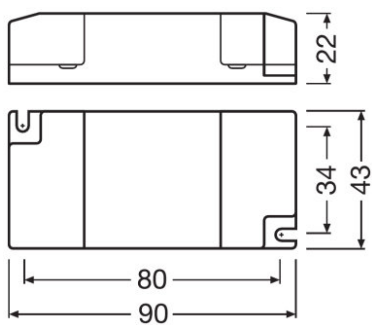
3) $t_{width} = 100 \mu s$ (measured at 50 % I_{peak})

4) Solid or flexible leads

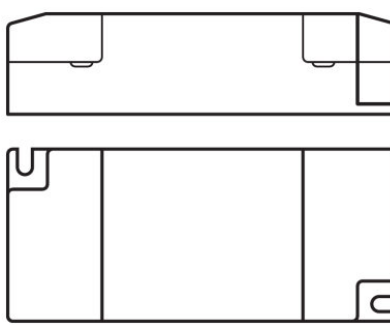
Product family datasheet

- 5) Measured on tc point indicated on the product label.
- 6) Non-condensing
- 7) At maximum $T_c = 75^\circ\text{C}$ / 10% failure rate
- 8) At 230 V, Input power 27.6 W max.
- 9) At maximum $T_c = 80^\circ\text{C}$ / 10% failure rate
- 10) At 230 V, full load
- 11) $t_{\text{width}} = 154 \mu\text{s}$ typical (measured at 50 % I_{peak})
- 12) Maximum 56 days/year at 85 %
- 13) $t_{\text{width}} = 165 \mu\text{s}$ typical (measured at 50 % I_{peak})
- 14) At 230 V, Input power 46.6 W max.
- 15) $t_{\text{width}} = 153 \mu\text{s}$ (measured at 50 % I_{peak})
- 16) At maximum $T_c = 85^\circ\text{C}$ / 10% failure rate

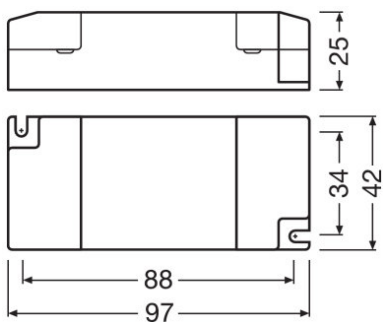
Product family datasheet



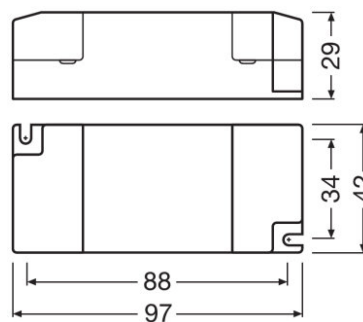
Line drawing



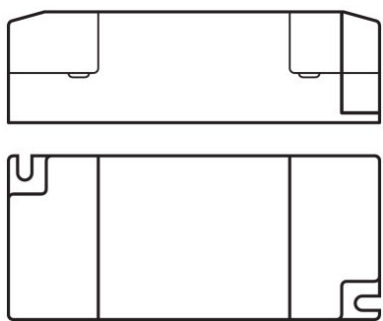
Line drawing



Line drawing



Line drawing



Line drawing

Product family datasheet














Application advice

For more detailed application information and graphics please see product datasheet.

Sales and Technical Support

Sales and Technical Support www.osram.com

Download Data

File	
	User instruction ELEMENT LED Power Supply
	Certificates ELEMENT S ENEC 35 108343 221019
	Declarations of conformity ELEMENT S UK DoC 4281075 040221
	Declarations of conformity ELEMENT S CE 3754517 190821
	CAD data Element S 6_15 IGS 120220
	CAD data Element S 6_15 STEP 120220
	CAD data 3-dim Element S 6_15 CAD3PDF 120220
	CAD data Element S 20_30 IGS 120220
	CAD data Element S 20_30 STEP 120220
	CAD data 3-dim Element S 20_30 CAD3PDF 120220
	CAD data Element S 33_44 IGS 120220
	CAD data Element S 33_44 STEP 120220
	CAD data 3-dim Element S 33_44 CAD3PDF 120220

Product family datasheet

Ecodesign regulation information:

Intended for use with LED modules.

The forward voltage of the LED light source shall be within the defined operating window of the control gear in all operating conditions including dimming if applicable.

Separate control gear and light sources must be disposed of at certified disposal companies in accordance with Directive 2012/19/EU (WEEE) in the EU and with Waste Electrical and Electronic Equipment (WEEE) Regulations 2013 in the UK. For this purpose, collection points for recycling centres and take-back systems (CRSO) are available from retailers or private disposal companies, which accept separate control gear and light sources free of charge. In this way, raw materials are conserved and materials are recycled.

Logistical Data

Product code	Product description	Packaging unit (Pieces/Unit)	Dimensions (length x width x height)	Volume	Gross weight
4052899552821	ELEMENT 6/220...240/150 S	Shipping carton box 50	232 mm x 197 mm x 155 mm	7.08 dm ³	2842.00 g
4052899552944	ELEMENT 25/220...240/600 S	Shipping carton box 50	232 mm x 212 mm x 170 mm	8.36 dm ³	3565.00 g
4052899553019	ELEMENT 33/220...240/800 S	Shipping carton box 50	232 mm x 212 mm x 190 mm	9.34 dm ³	4585.00 g
4052899553033	ELEMENT 38/220...240/900 S	Shipping carton box 50	232 mm x 212 mm x 190 mm	9.34 dm ³	4685.00 g
4052899553057	ELEMENT 44/220...240/1050 S	Shipping carton box 50	232 mm x 212 mm x 190 mm	9.34 dm ³	4685.00 g

The mentioned product code describes the smallest quantity unit which can be ordered. One shipping unit can contain one or more single products. When placing an order, for the quantity please enter single or multiples of a shipping unit.

Disclaimer

Subject to change without notice. Errors and omission excepted. Always make sure to use the most recent release.